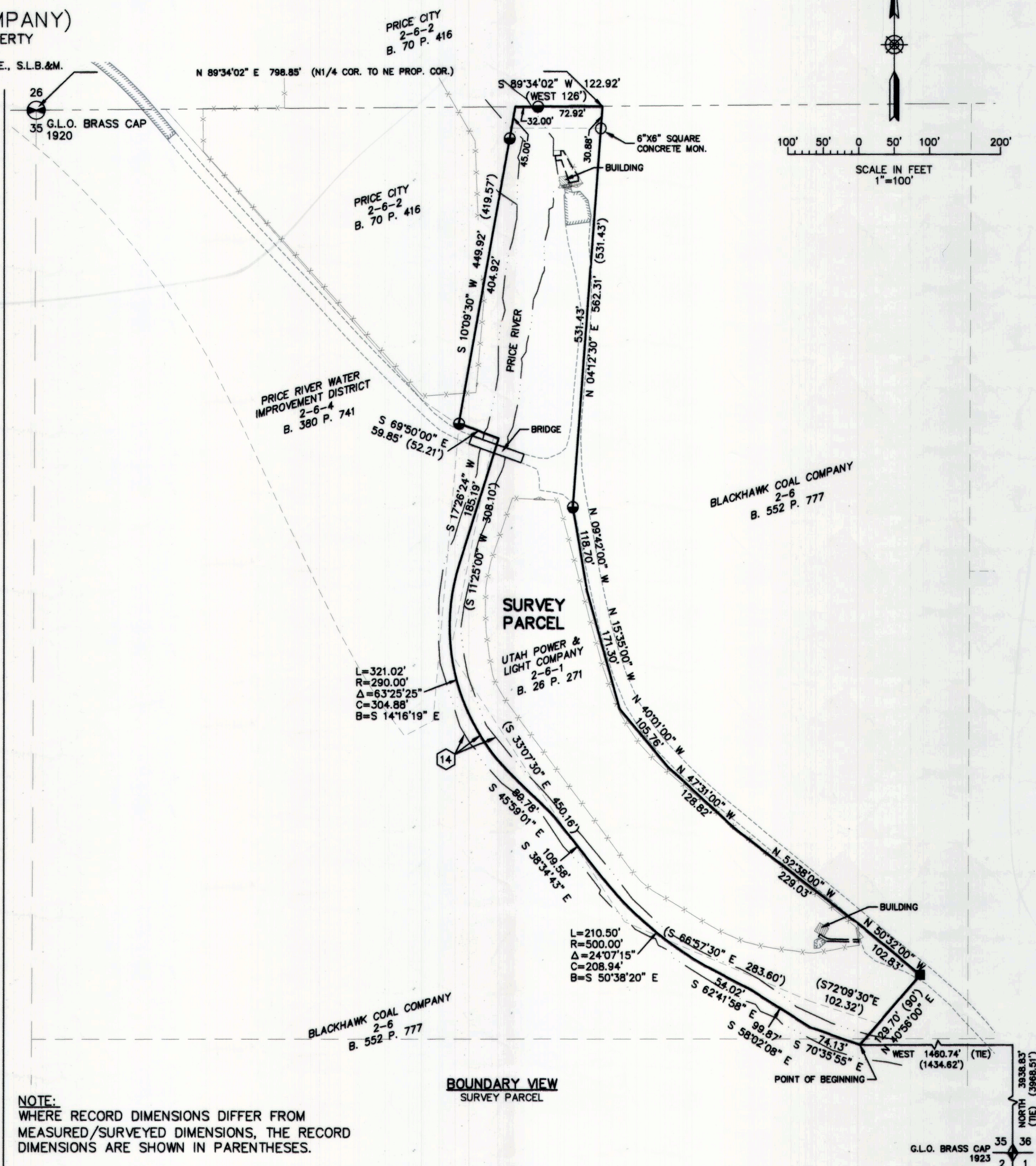
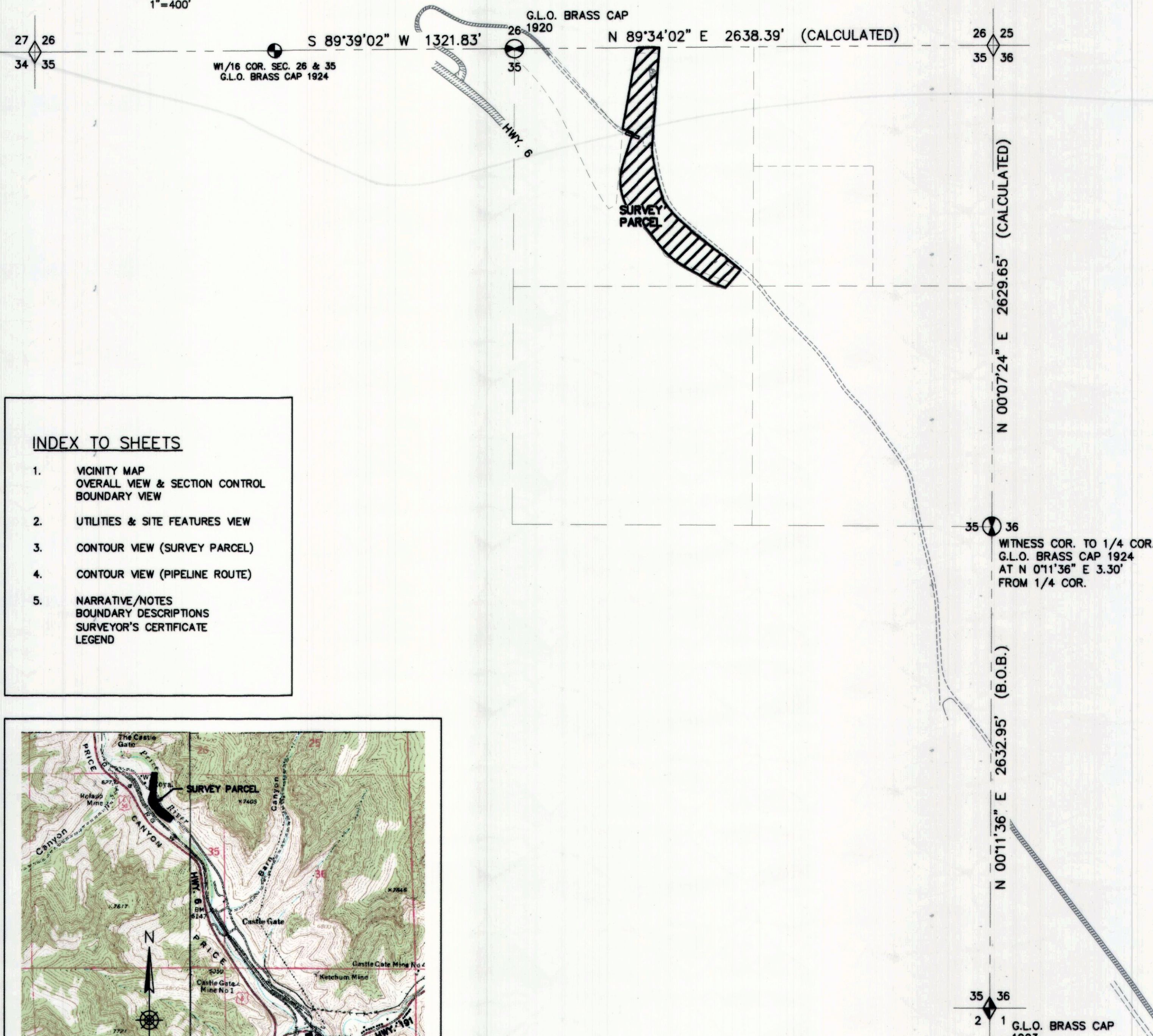
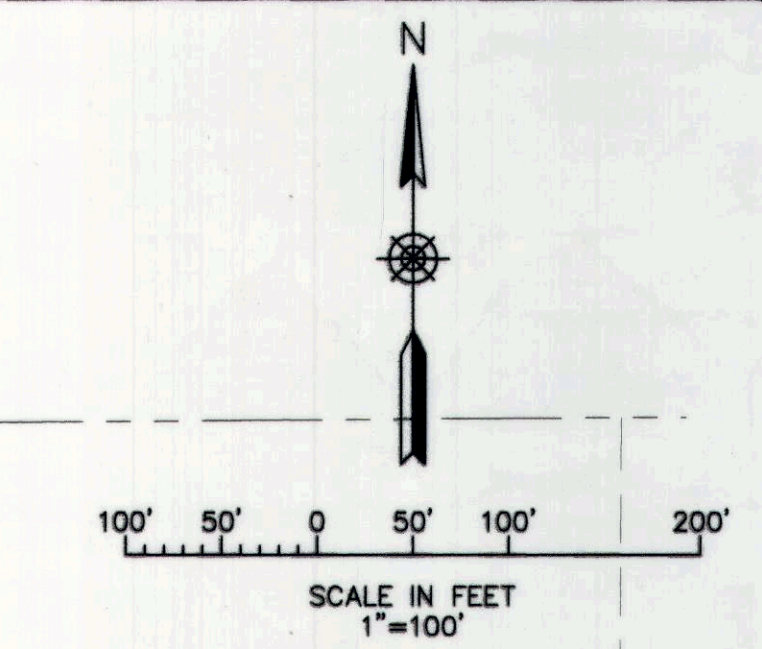
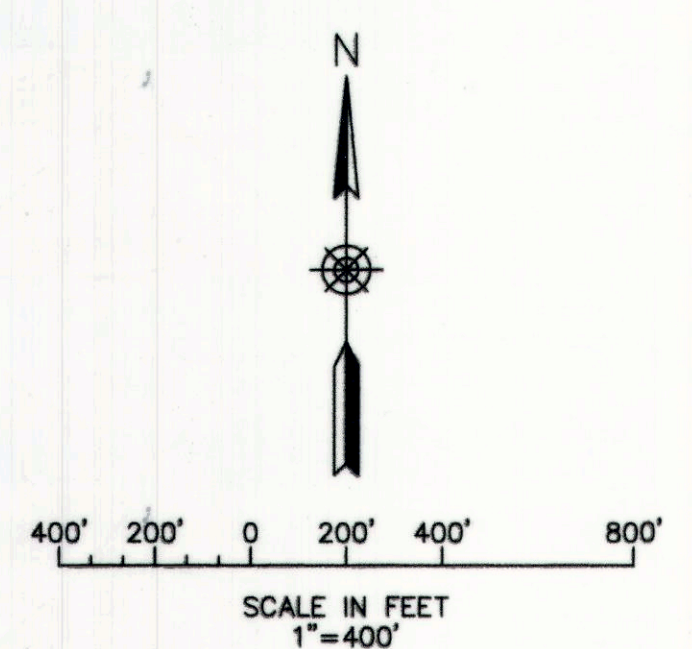


Ent 825230 B. 826 P. 64
 Date: 23-JUL-2014 3:28:19PM
 Fee: \$19.00 Check
 Filed By: RM
 VIKKI BARNETT, Recorder
 CARBON COUNTY CORPORATION
 For: TORGERSEN ENGINEERING

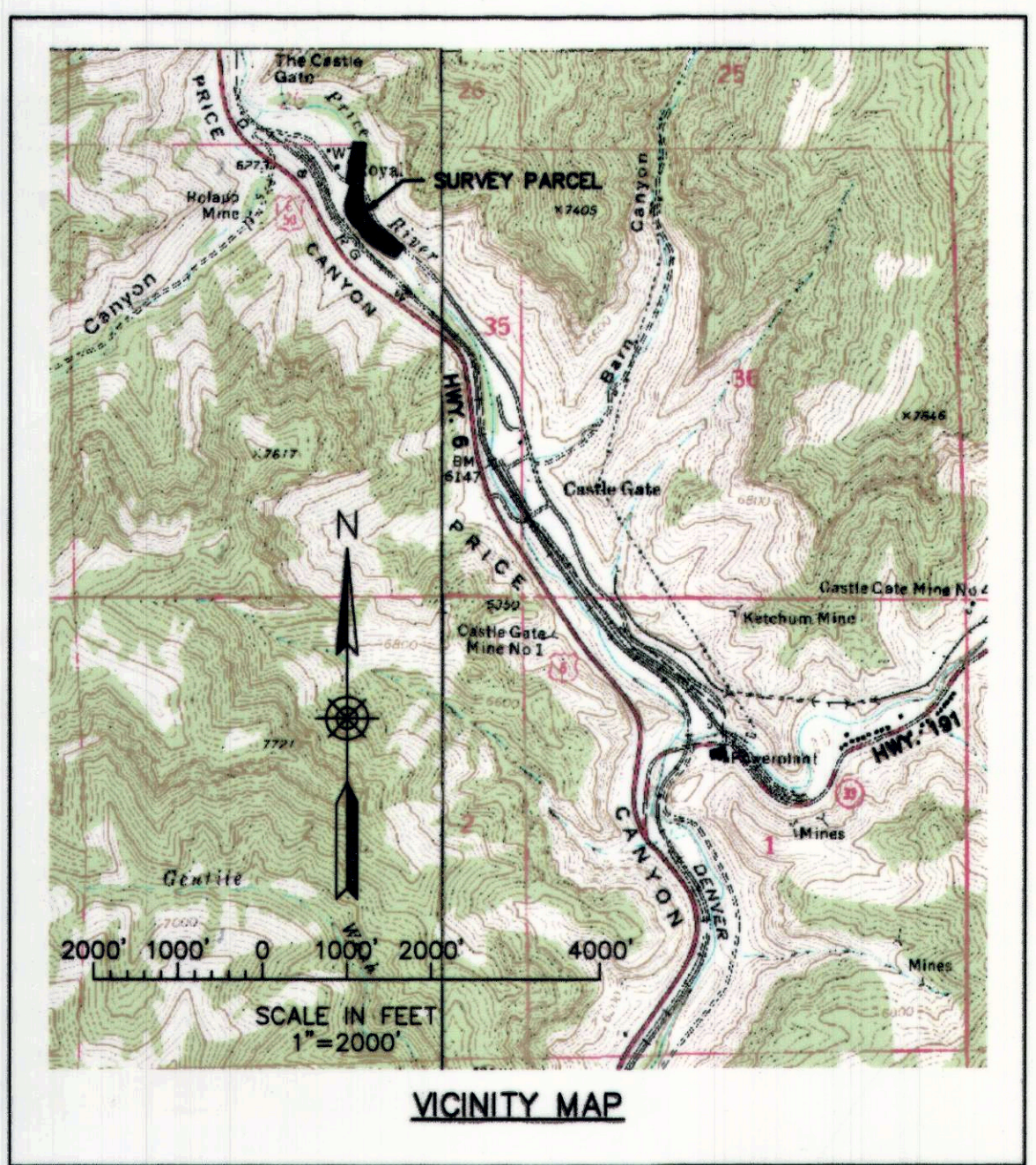
A.L.T.A./A.C.S.M. LAND TITLE SURVEY FOR
PACIFICORP
 (UTAH POWER & LIGHT COMPANY)
 PRICE RIVER DIVERSION & POND PROPERTY
 CARBON COUNTY, UTAH
 LOCATED IN THE NE1/4 OF SECTION 35, T. 12 S., R. 9 E., S.L.B.&M.
 SHEET 1 OF 5



NOTE:
 WHERE RECORD DIMENSIONS DIFFER FROM
 MEASURED/SURVEYED DIMENSIONS, THE RECORD
 DIMENSIONS ARE SHOWN IN PARENTHESES.

INDEX TO SHEETS

1. VICINITY MAP
 OVERALL VIEW & SECTION CONTROL
 BOUNDARY VIEW
2. UTILITIES & SITE FEATURES VIEW
3. CONTOUR VIEW (SURVEY PARCEL)
4. CONTOUR VIEW (PIPELINE ROUTE)
5. NARRATIVE/NOTES
 BOUNDARY DESCRIPTIONS
 SURVEYOR'S CERTIFICATE
 LEGEND



SECTION LINES & OVERALL VIEW
 SURVEY PARCEL & PIPELINE ROUTE

BOUNDARY VIEW
 SURVEY PARCEL

TORGERSEN ENGINEERING
 180 N. 100 E. SUITE E OFFICE (435) 893-0081
 RICHFIELD, UTAH 84701 FAX (435) 896-8797

A.L.T.A./A.C.S.M. LAND TITLE SURVEY FOR
PACIFICORP
 (UTAH POWER & LIGHT COMPANY)
 PRICE RIVER DIVERSION & POND PROPERTY
 CARBON COUNTY, UTAH
 LOCATED IN THE NE1/4 OF SECTION 35, T. 12 S., R. 9 E., S.L.B.&M.

SURVEY BY: GTT	DRAWING BY: GTT	CHECKED BY: RKT
DATE: 1/29/2014	DATE: 2/14/2014	DATE: 2/14/2014

SHEET 1 OF 5 1312RMP-CP_S35

#598