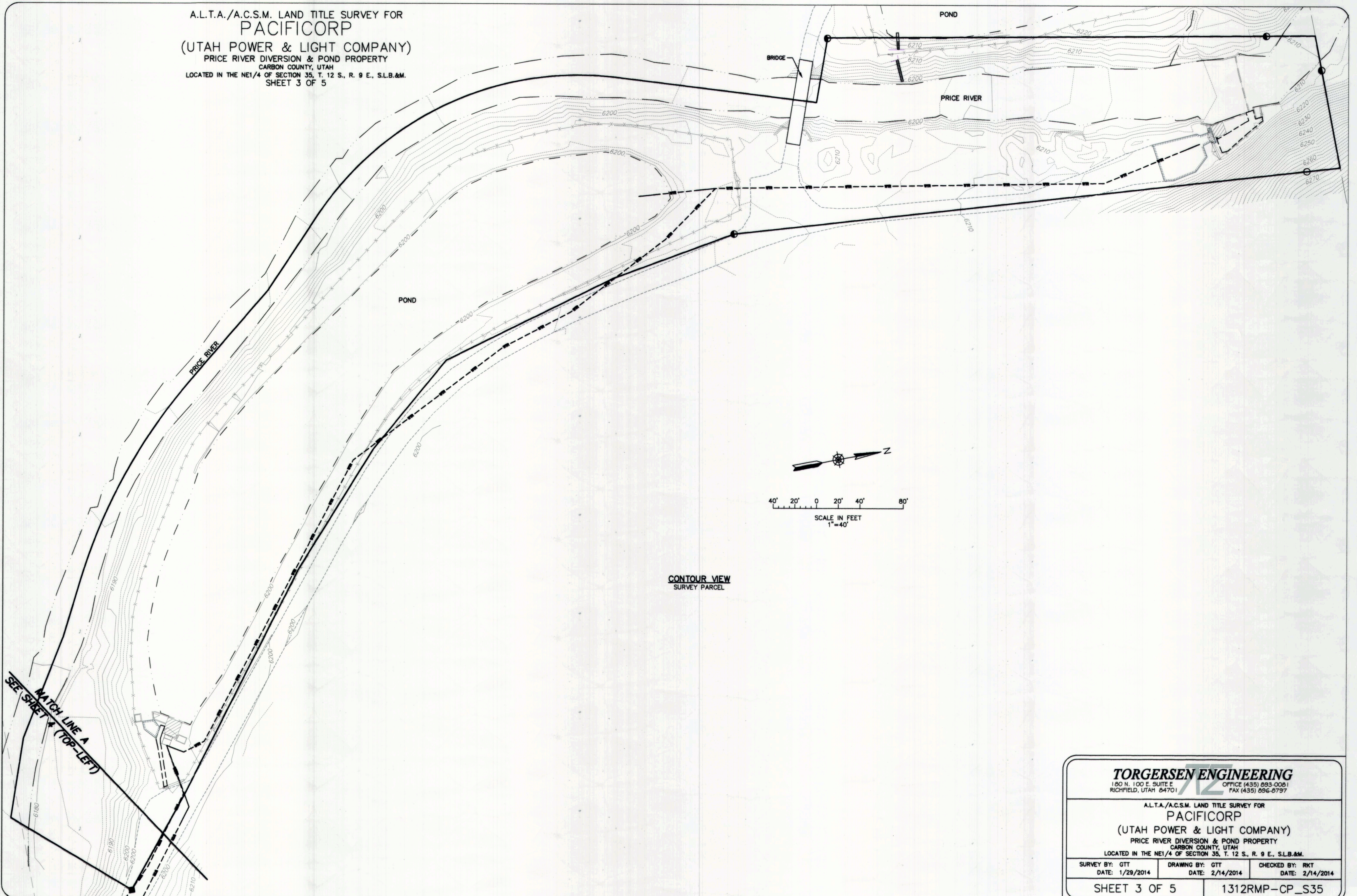
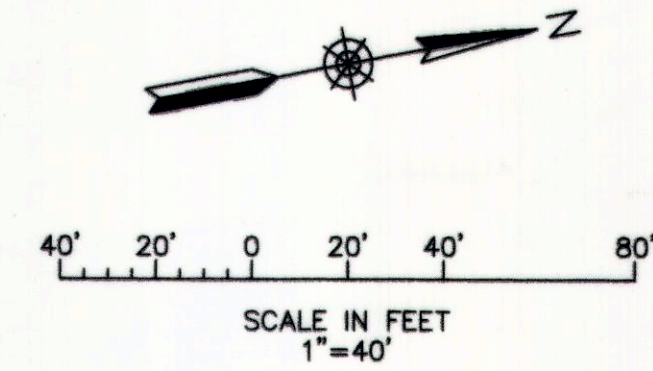


A.L.T.A./A.C.S.M. LAND TITLE SURVEY FOR
PACIFICORP
(UTAH POWER & LIGHT COMPANY)
PRICE RIVER DIVERSION & POND PROPERTY
CARBON COUNTY, UTAH
LOCATED IN THE NE1/4 OF SECTION 35, T. 12 S., R. 9 E., S.L.B.&M.
SHEET 3 OF 5



CONTOUR VIEW
SURVEY PARCEL



TORGENSEN ENGINEERING 180 N. 100 E. SUITE E OFFICE (435) 893-0081 RICHFIELD, UTAH 84701 FAX (435) 896-8797		
A.L.T.A./A.C.S.M. LAND TITLE SURVEY FOR PACIFICORP (UTAH POWER & LIGHT COMPANY) PRICE RIVER DIVERSION & POND PROPERTY CARBON COUNTY, UTAH LOCATED IN THE NE1/4 OF SECTION 35, T. 12 S., R. 9 E., S.L.B.&M.		
SURVEY BY: GTT DATE: 1/29/2014	DRAWING BY: GTT DATE: 2/14/2014	CHECKED BY: RKT DATE: 2/14/2014
SHEET 3 OF 5		1312RMP-CP_S35

#598