

SCOFIELD TOWNSITE

SCOFIELD, UTAH, CARBON COUNTY

SURVEYOR'S CERTIFICATE

I, ALBERT J. SPENSKO DO HEREBY CERTIFY THAT I AM A PROFESSIONAL LAND SURVEYOR AND THAT I HOLD CERTIFICATE NO. 149952 AS PRESCRIBED UNDER THE LAWS OF THE STATE OF UTAH. I FURTHER CERTIFY THAT BY THE AUTHORITY OF THE OWNERS, I HAVE MADE A SURVEY OF THE TRACT OF LAND SHOWN ON THIS PLAT AND DESCRIBED BELOW, SUBDIVIDED SAID TRACT OF LAND INTO LOTS AND STREET, AND FOUND THE CONDITIONS TO EXIST AS NOTED ON THE PLAT, HEREAFTER TO BE KNOWN AS.

LOT NO. 2, BLOCK 2, SCOFIELD TOWNSITE

AND THAT THE SAME HAS BEEN CORRECTLY SURVEYED AND STAKED ON THE GROUND AS SHOWN ON THIS PLAT.

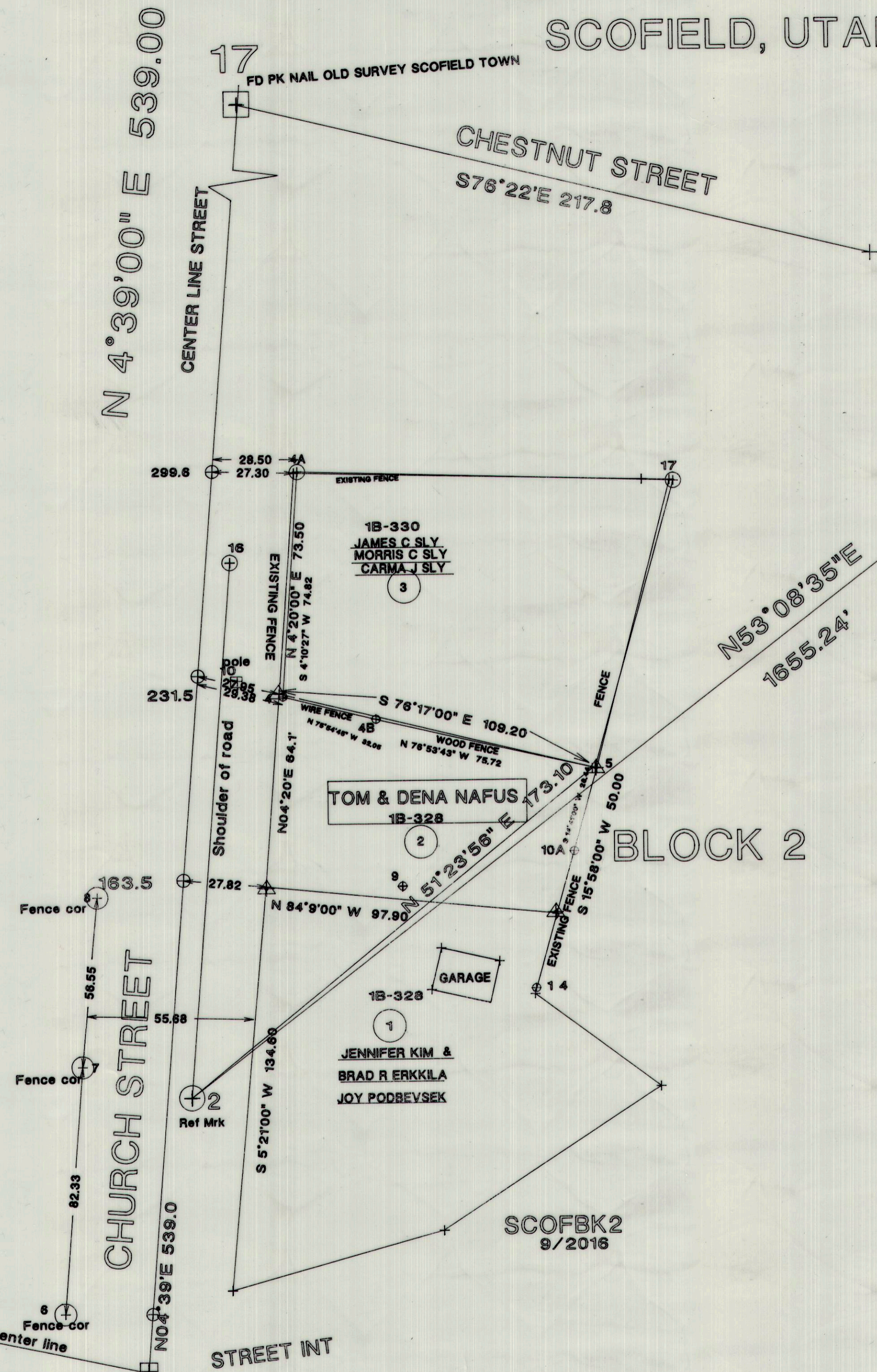
Date: May 17, 2017
Albert J. Spensko
 Albert J. Spensko, 12 5th Ave, Helper, Utah 84526

DESCRIPTION

LOT NO. 2, BLOCK 2, SCOFIELD TOWNSITE

Lot 2, Block 2, Scofield Townsite is owned by Tom and Dena Nafus, 11983 SOUTH 2800 WEST RIVERTON, UTAH 84065

Ent 836529 W 884 Pn 585
 Date: 19-MAY-2017 2:22:46PM
 Fee: \$15.00 Check Filed By: DR
 CARBON COUNTY RECORDER, Recorder
 CARBON COUNTY CORPORATION
 For: ALBERT SPENSKO

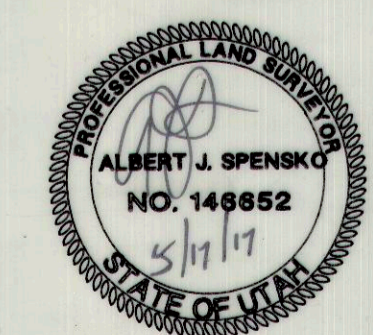
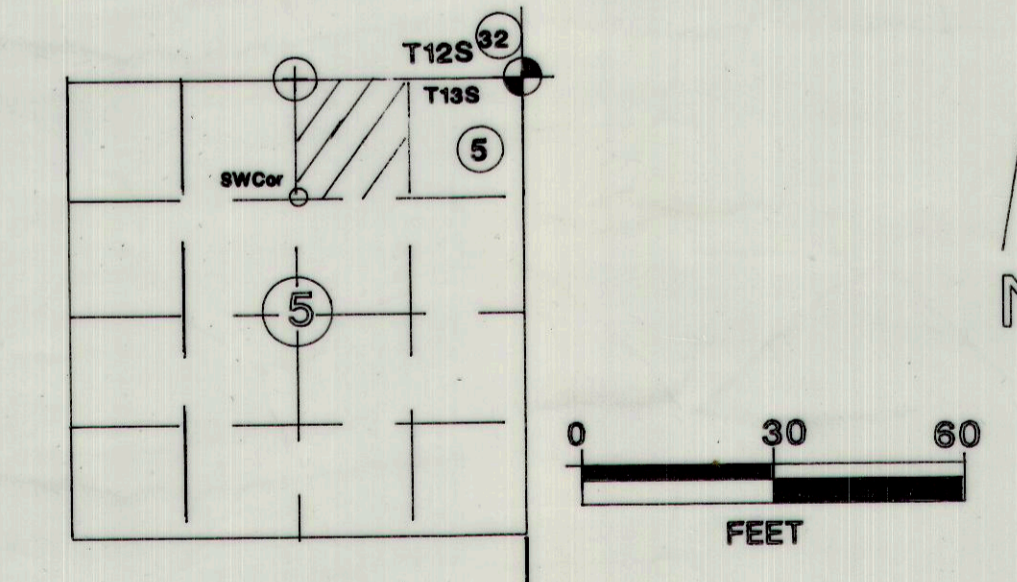


NOTE:

Data for the Scofield Townsite is per the original map dated NOV 1896.

Original street widths were 50 feet, however at the time lot dimension were created it appears that fence line were established and lot lines facing the street maybe larger or smaller than 25 feet half width.

Lot dimensions are not found on this map, that date is located on the plat records in the Carbon County Courthouse.



- NO. Ref Pts
- ▲ Property Corners
Ruber/caps
- X-X- Existing fence
- ⊕ Section Cor

NAFUS517 RECORD SURVEY MAY 15, 2017

SCOFIELD TOWNSITE
 NOV 1896

This data as per original town records

SW Corner
 NW/4 NE/4 Sec 5, T13S, R7E, S13&M.
 Ref Br to CC GPS Mon N47°06'02"E
 N89°56'E
 South West Corner
 Scofield Townsite
 Rock in place / Steel Rod

Albert J. Spensko
 12 So. 5th Ave
 Helper, Utah 84526

RECORDED #
 STATE OF UTAH, COUNTY OF _____
 RECORDED AND FILED AT THE REQUEST OF _____
 DATE TIME BOOK PAGE
 FEE COUNTY RECORDER

#111