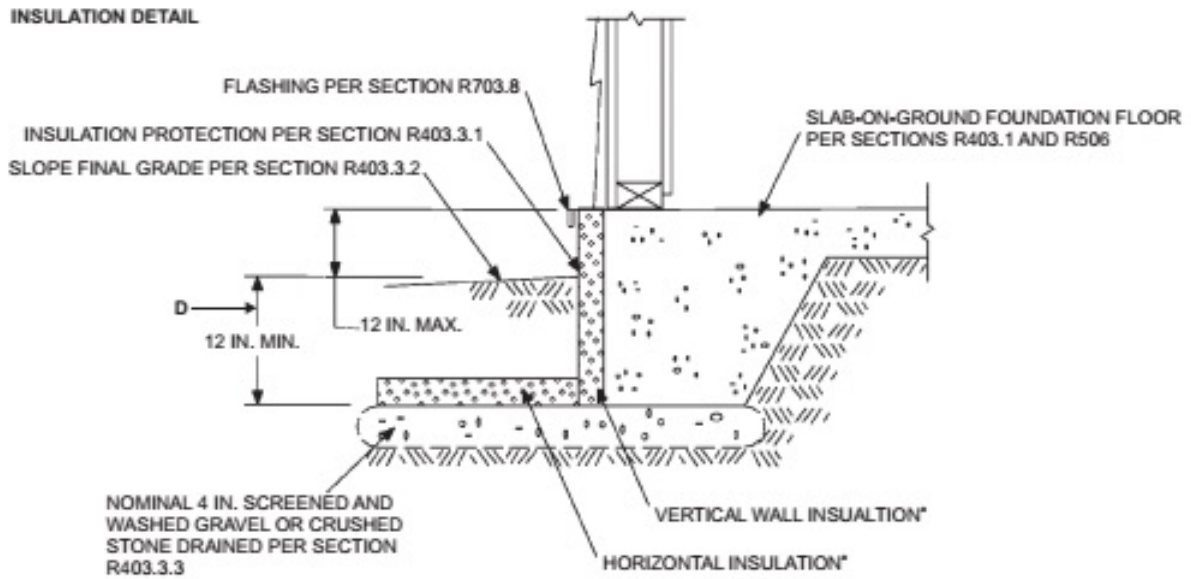
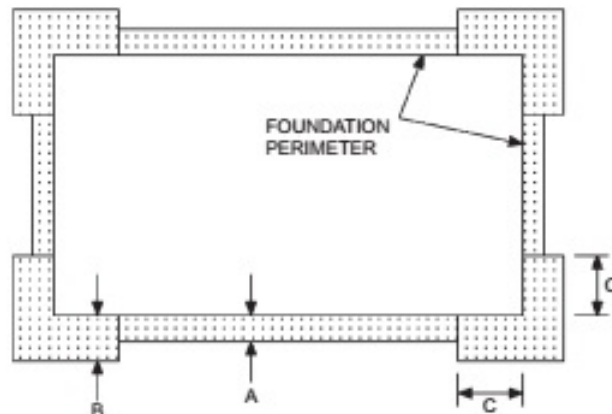


INSULATION DETAIL



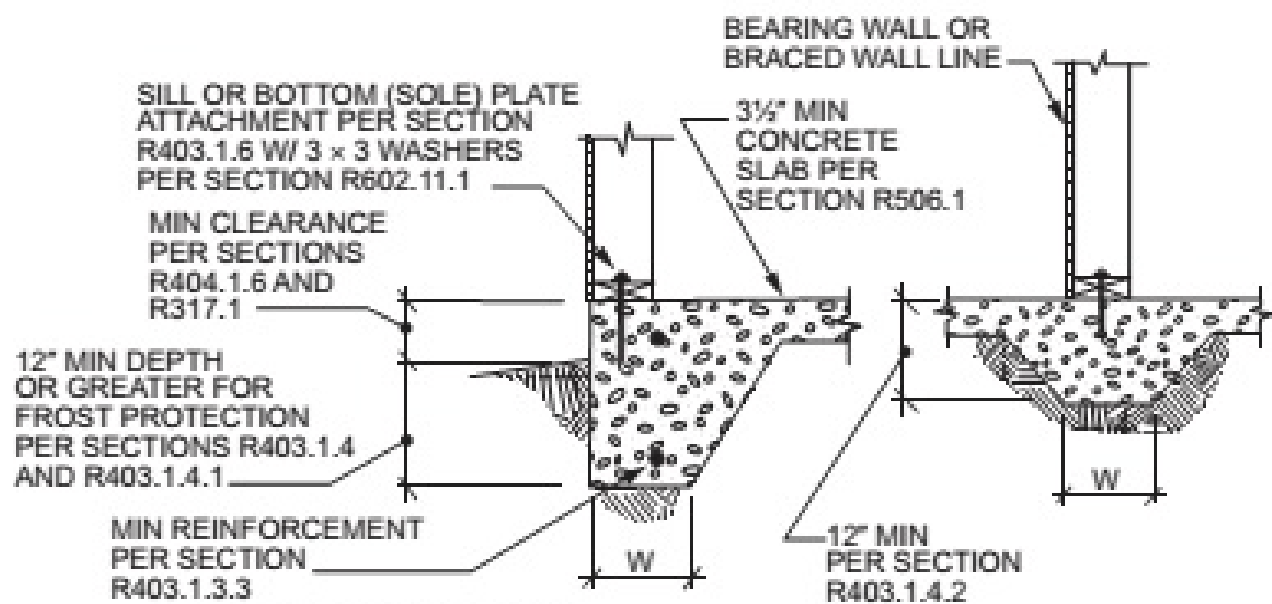
HORIZONTAL INSULATION PLAN



FREEZING INDEX (°F-days)	MINIMUM FOOTING DEPTH, D(inches)	VERTICAL INSULATION R-VALUE	HORIZONTAL INSULATION R-VALUE		HORIZONTAL INSULATION DIMENSIONS PER FIGURE R403.3(1) (inches)		
			Along walls	At corners	A	B	C
3,000	16	7.8	6.5	8.6	12	24	40

TABLE R403.3(2) AIR-FREEZING INDEX FOR U.S. LOCATIONS BY COUNTY

Carbon County, Utah: 3,000



1 SLAB-ON-GROUND WITH
MONOLITHIC TURNED-DOWN FOOTING

SCALE: NOT TO SCALE